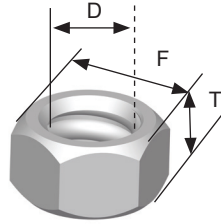


# Coil Lifting System

## Standard Coil Nuts (CN-13)

Available in plain and plated finish.

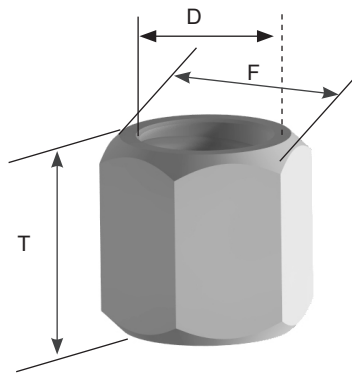


ITEM CODE	THREAD (D)	THICK. (T)	ACROSS FLAT (F)	SWL TENSION (LBS)
CN05	1/2"	1/2"	7/8"	1800
CN075	3/4"	5/8"	1-1/8"	3600
CN10	1"	1"	1-1/2"	7200
CN1025	1-1/4"	1-1/4"	2"	14400
CN1050	1-1/2"	1-1/2"	2-3/8"	19000

Note: In applications with Coil Bolts or Rods, the published loads assume usage of two Coil Nuts locked closely together. Safe working loads based on approximate 5:1 Safety Factor.

## Heavy Duty Coil Nuts (CN-25)

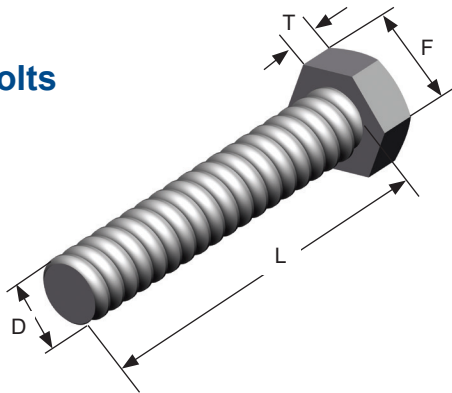
Available in plain and plated finish.



ITEM CODE	THREAD (D)	THICK. (T)	ACROSS FLAT (F)	SWL TENSION (LBS)
CN25-75	3/4"	1-1/2"	1-1/4"	7200
CN25-10	1"	2"	1-5/8"	15000
CN25-1025	1-1/4"	2-1/2"	2"	22500
CN25-1050	1-1/2"	3"	2-3/8"	27000

Safe working loads based on approximate 5:1 Safety Factor.

## Coil Bolts

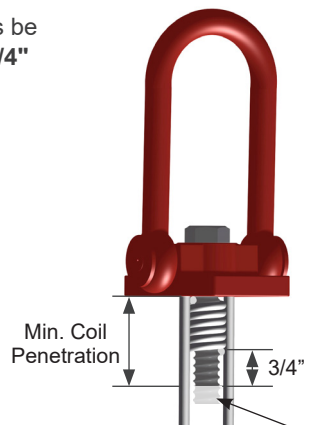


ITEM CODE	THREAD (D)	LENGTH (L)	HEAD THICK. (T)	ACROSS FLATS (F)	TENSILE STRENGTH (LBS)
CB0515	1/2"	1-1/2"	3/8"	3/4"	2700
CB0520	1/2"	2"	3/8"	3/4"	2700
CB0525	1/2"	2-1/2"	3/8"	3/4"	2700
CB0530	1/2"	3"	3/8"	3/4"	2700
CB0540	1/2"	4"	3/8"	3/4"	2700
CB0550	1/2"	5"	3/8"	3/4"	2700
CB0560	1/2"	6"	3/8"	3/4"	2700
CB07520	3/4"	2"	1/2"	1-1/8"	4600
CB07525	3/4"	2-1/2"	1/2"	1-1/8"	4600
CB07530	3/4"	3"	1/2"	1-1/8"	4600
CB07540	3/4"	4"	1/2"	1-1/8"	4600
CB07550	3/4"	5-1/2"	1/2"	1-1/8"	4600
CB07560	3/4"	6"	1/2"	1-1/8"	4600
CB1040	1"	4"	5/8"	1-1/2"	7200
CB102580	1-1/4"	8"	3/4"	1-7/8"	13500

Safe working loads based on approximate 5:1 Safety Factor. Other sizes available upon request.

**CAUTION:** Coil Bolts should always be long enough to penetrate at least 3/4" beyond the coil insert threads.

3/4" COIL BOLT (SWL)	
Tension	Shear
4600 LBS	3080 LBS
Minimum Coil Penetration 2-1/2"	
Bolt Length	Min. Thread Length
3"	2-7/8"
4"	3-7/8"



Sufficient void to be created beyond Coil Bolt using CONAC Plastic Coil Protector (PCP) or setting bolt.