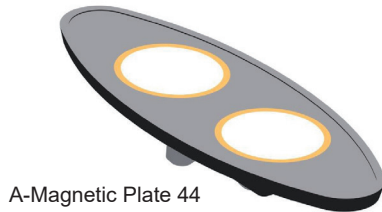


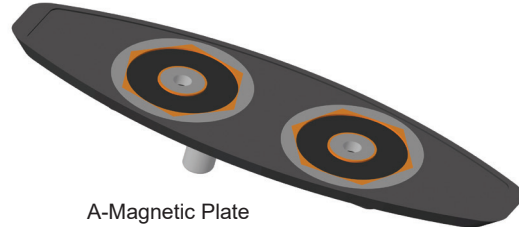
## A-Anchor Magnetic Setting Plate

The A-Anchor Magnetic Recess Plate allows attachment of the Rubber Recess Former to any steel form, eliminating bolting or welding. Threaded holes in magnet (3/8"-16 NC) allow easy release of magnet from form.

ITEM CODE	DESCRIPTION
A-Magnetic Plate	For 14 and 18 mm Anchors
A-Magnetic Plate 44	For .44" and .67" Anchors



A-Magnetic Plate 44

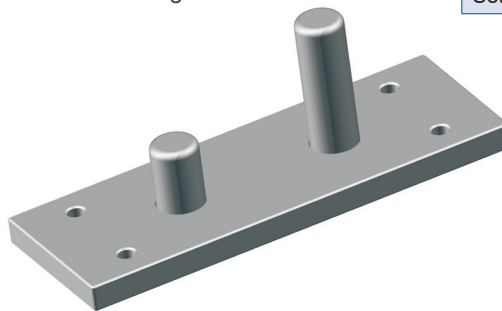


A-Magnetic Plate

## A-Anchor Setting Plate

The A-Anchor Setting Plate is used in various applications to install A-Anchors in a form using rubber recess former.

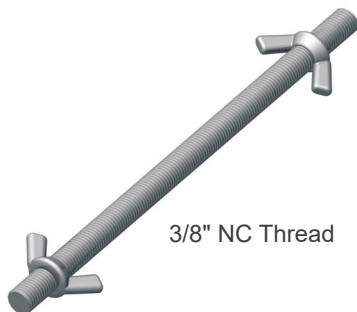
ITEM CODE	DESCRIPTION
Setting Plate	For 14 and 18 mm Anchors
Setting Plate 44	For .44" and .67" Anchors



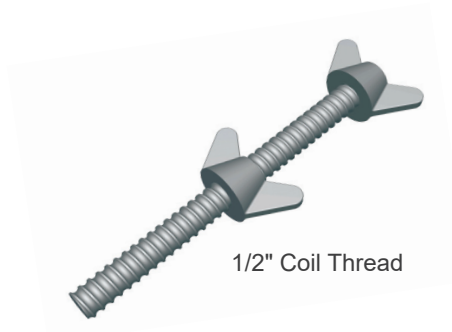
## A-Anchor Setting Rod

The Setting Rod is used to set the rubber recess former in place by way of a pre-drilled hole in the form.

ITEM CODE	THREAD SIZE	DESCRIPTION
A-Magnetic Plate	3/8" NC Thread	For 14 and 18 mm Anchors
FNC 1/2"	1/2" Coil Thread	For .44" and .67" Anchors



3/8" NC Thread



1/2" Coil Thread